



Compact Panel Mount Digital Indicator Type A-RD-1

Tronic

(Previous model number 907.15.506)

- Display range -1999 to +9999
- Accepts inputs of 4-20mA, 0-20 mA, 0-1V, 0-10V, and Pt 1000
- 0.4" (10mm) display height
- Dual solid state relays and RS485 serial interface
- User programmable



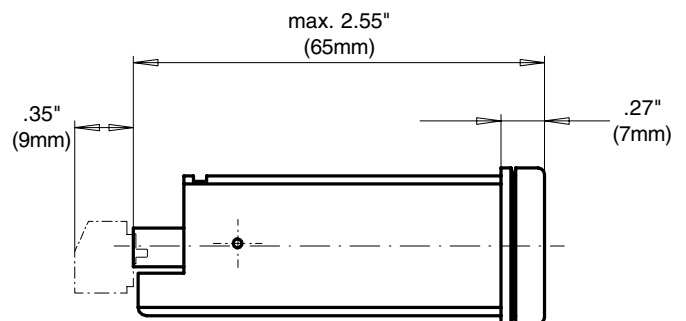
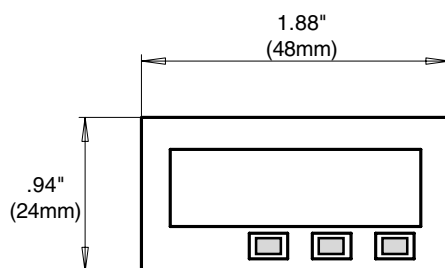
The WIKA compact panel mount digital indicator is designed to accept several types of signal inputs and requires a supply voltage of 9 to 28 VDC. The indicator is user-programmable for a display range of -1999 to +9999. The 0.4 inch LED readout and compact size provides for for installation in low light environments where space is limited.

Two independently programmable solid state switching outputs with adjustable hysteresis and a RS-485 serial interface are standard.

A detailed instruction manual and clear display prompts on the LED display simplify setup and programming. User-adjustable digital filtering improves readability during rapid pressure changes. All set up data is stored in an E²PROM so in the event of a power failure reprogramming is unnecessary. The indicator meets IP 65 weather protection requirements.



Dimensions



Maximum panel mounting
thickness: 0.4" (10mm)

APE A-RD-1
(APE 82.10)

Specifications	Type 907.15.506
Display <ul style="list-style-type: none"> - Principle - Range - Accuracy 	4-digit, LED, red, 10 mm high figures - 1999 ... + 9999 +/- 0.5 % of span +/- 1 digit
Pick-up rate	either 2-3 measurements/s or 2 measurements in 3s
Signal processing	16 bit resolution
Error messages	FE1: exceeded range FE4: under display range FE2: below range FE5: measurement signal broken FE3: display range exceeded FE7: unstable input signal
Scale adjustment	menu driven, measuring range begin and end as well decimal point can be set using the front panel keys or through the RS-485 interface
Signal input	selectable of choice between: 0-20mA, 4-20mA, 0-1V, 0-10V, Pt1000
Digital output	RS 485; up to 16 devices can be incorporated in a network using the 2 wire interface (devices nos. 1 to 15 can be directly addressed with front panel keys or through the serial interface)
Switching outputs <ul style="list-style-type: none"> - Number of - Function - Adjustment - Hysteresis - Response time - Accuracy - Contacts - Switching current - Switching voltage 	2, individually adjustable MIN/MAX adjustable by setting hysteresis within configured measurement range adjustable over full span of indication adjustable from 0...99 minutes actual value by means of digital control 2 separate transistor switching outputs (GND switching); Mode of connection: NPN max. 50 mA max. 30 V
Power supply	9-28 VDC
Current consumption	max. 60mA at 12 VDC (without interface)
Wiring	screw terminals; max. wire diameter 1,5 mm ² ; two separate terminal blocks: one for power, one for switching outputs, transmitter, and RS 485 connections
Degree of protection	front protection IP 65 when properly installed in panel
Permissible ambient temp.	+32 ... +122(°F)° (0 ... + 50°C)
Dimensions	1.88" x .94" x 2.55" (48mm x 24mm x 65mm)
Panel cut-out	1.77" x .85" (45mm x 21.7mm)
Weight	approximately 2 oz (0.05 kg)

**THE MEASURE OF
Total Performance™**

Ordering Information:

State computer part number (if available) / type number / options required.

Specifications given in this data sheet represent the state of engineering at the time of printing. Modifications may take place and the specified materials may change without prior notice

8/2000



WIKAL Instrument Corporation

1000 Wiegand Boulevard

Lawrenceville, Georgia 30043-5868

Tel: 770-513-8200 Fax: 770-277-2641

<http://www.wika.com> e-mail: Tronic@wika.com