



Local Indicating Pressure Transmitters
 30 INHG Vacuum to 15,000 PSI
Type 891.34.500 - Standard Industrial
Type 892.34.500 - EEx Intrinsically Safe

Tronic

- 4-20 mA 2-wire output signal, 0-20 mA 3-wire available
- 4" diameter local readout with solid front for safety
- Available with alarm contacts and liquid filled case
- Can be mounted to chemical seals

The WIKAI 891.34.500 local indicating pressure transmitter incorporates a dial gauge with a pressure transmitter to provide both local and remote pressure indication. The transmitter incorporates a Hall effect pressure sensor that measures the deflection of the bourdon tube and produces an output signal that is linear and proportional to the applied pressure.

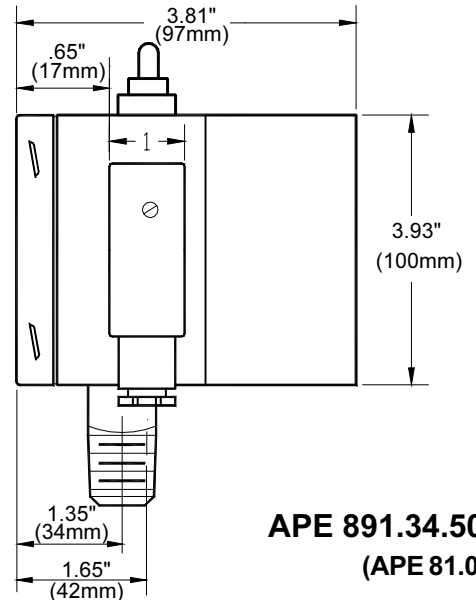
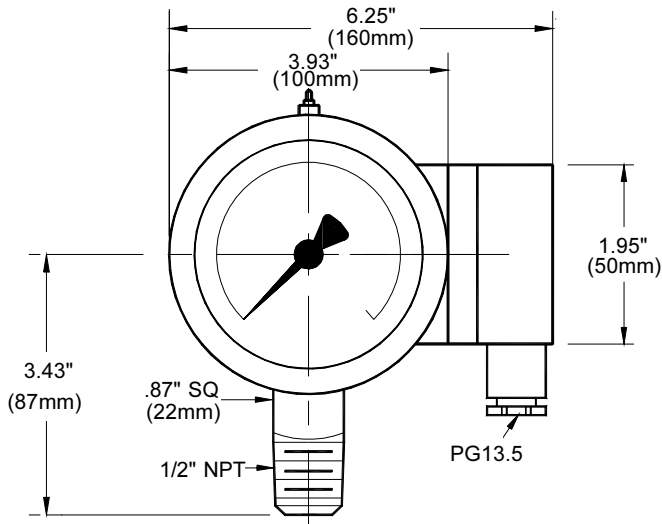
The pressure gauge features a stainless steel case and wetted parts, solid front and blow-out back for user safety. Vacuum, compound, and gauge ranges are available up to 15,000 PSI. Extremely low pressures down to 0-15 INWC are available on special order.



STANDARD RANGES

0-30 INHG Vac	0-400 PSI
0-15 PSI	0-600 PSI
0-30 PSI	0-1000 PSI
0-60 PSI	0-1500 PSI
0-100 PSI	0-2000 PSI
0-160 PSI	0-5000 PSI
0-200 PSI	0-10,000 PSI
0-300 PSI	0-15,000 PSI

Dimensions



Specifications

Input

10-30 VDC (12.5-28 VDC for EX version)

Output & load limitations

4-20 mA 2-wire $R_{(max)} = (V_s - 10V) / 0.02 A$

Overpressure safety

1.3X of maximum scale value

Accuracy

Linearity (B.F.S.L.)	gauge	signal
	≤ 1.0%	≤ 0.8%
Hysteresis	≤ 0.5%	
Response time	< 50 ms	
Zero & span adjustment	+/- 5.0% full scale	

Temperature

Temperature compensated	-12°F to 140 °F
Media	-12 °F to 212 °F
Ambient	-4 °F to 140 °F

Temperature error (reference temperature 70 °F)

On zero (% of span/18 °F)	≤ 0.3
On span (% of span/18 °F)	≤ 0.3

Process connection

1/2"NPT male

Electrical connection

Terminal box attached to case

Electrical protection

Protected against reverse polarity, short circuit, and suppressor diode for high voltage protection.

Material

Housing	304 ss, terminal box ABS plastic
Wetted parts	316 ss

Weight	1.8 lb (2.6 lb for EX version)
with liquid fill	3.3 lb (4.0 lb for EX version)

Model 892.34.500 EX Certification

EEX ia IIC T6

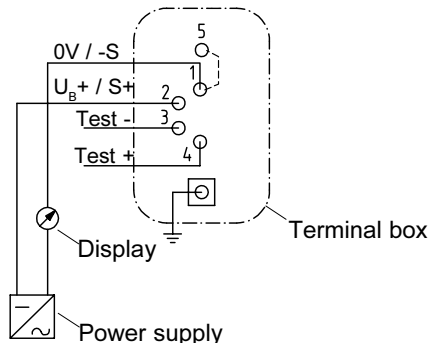
Conformity specifications

Power supply	12.5 to 28 VDC
Short circuit rating	100 mA
Rating	1000 mW
Medium and ambient temperature	-4 °F to 140 °F

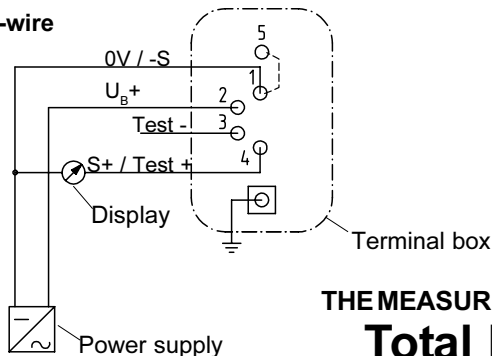
Wiring

Note: terminals 1 and 5 are bridged internally providing two terminals for the 0V / S- connection.

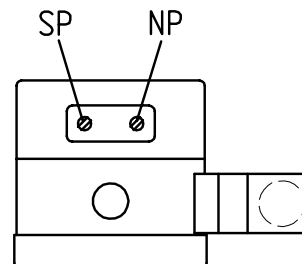
4-20 mA 2-wire



0-20 mA 3-wire



Calibration



SP - span adjustment
NP - zero adjustment

Remove the screw plugs in the top of the case to access the zero and span adjustment potentiometers.

THE MEASURE OF
Total Performance™

Ordering Information:

State computer part number (if available) / type number / range / output / process connection / electrical connection / other required options.

Specifications given in this data sheet represent the state of engineering at the time of printing. Modifications may take place and the specified materials may change without prior notice.



WIKA Instrument Corporation

1000 Wiegand Boulevard

Lawrenceville, Georgia 30043-5868

Tel: 770-513-8200 Fax: 770-277-2641

http://www.wika.com e-mail: Tronic@wika.com