



# Differential Pressure Gauges

Copper Alloy Wetted Parts

In-Line Connections

Bourdon Tube Series • Type 7X1.12

## Pressure Gauges

### Application

Measurement of pressure differential or duplex measurement of 2 applied pressures. Suitable for all gaseous and liquid media that will not obstruct the pressure system or attack copper alloy parts.

### Sizes

4" & 6" (100 mm & 160 mm)

### Accuracy

± 1.5% of span

### Ranges (All ranges not stocked)

Vacuum 30"Hg

Pressure from 10 PSI to 15,000 PSI

Scale range must be selected based on the highest static pressure measured. The pressure differential to be indicated should be no less than 1/6 of the full scale range. When ordering please state both the static pressure applied and the differential to be indicated.

### Working Range

Steady: full scale value

Fluctuating: 0.9 x of full scale value

Short time: 1.3 x full scale value

### Operating Temperature

Ambient: -4°F to 140°F (-20°C to 60°C)

Media: max. 140°F (+60°C) - 10 PSI thru 1000PSI

max. 212°F (+100°C) - 1500 PSI thru 15,000

PSI

### Temperature Error

Additional error when temperature changes from reference temperature of 68°F (20°C) ±0.4% for every 18°F (10°C) rising or falling. Percentage of span.

### Weather Protection

Weather resistant (NEMA 2 / IP 33)

## Standard Features

### Connection

Material: copper alloy

Lower mount (LM) only

2 x 1/4" or 1/2" NPT

Each side marked with ⊕ or ⊖

### Bourdon Tube

10 PSI to 1,000 PSI C-type

Material: copper alloy

1,500 PSI to 15,000 PSI helical type

Material: 316 stainless steel

### Movement

Copper alloy, wearable parts Argentan

### Dial

White aluminum with black lettering

### Pointer

Material: aluminum

1 black pointer

1 graduated disk indicator with scale ± 50% of main scale range



### Case

Black painted steel

### Window

Flat glass

### Cover Ring

Black painted steel screw retained

### Order Options (min. order may apply)

Duplex gauge with 1 red and 1 black pointer

Subtracting movement (for single-pointer indication)

316 SS wetted parts (**Type 731.12**)

Liquid filling (4" only) (**Type 713.12**)

316SS case, ring, and wetted parts (**Type 73X.02**)

Front flange

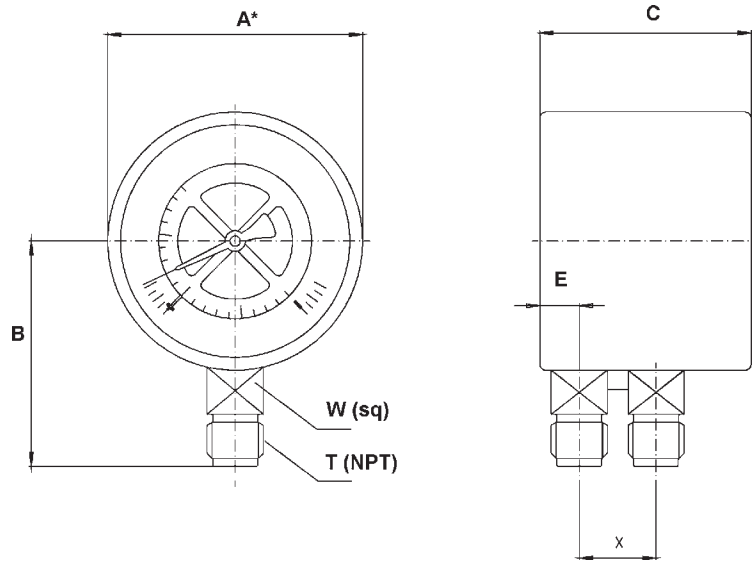
Rear flange

Magnetic or inductive alarm contacts (6" size only)

**APM 7X1.12**

**(APM 07.02)**

**Dimensions:**



A\* NOMINAL SIZE

TYPE	WEIGHT	KEY	A*	B	C	E	T	W	X
711.12 4"	2.2 lbs.	mm	100	87	82	15.5	1/2"	22	32
		in	4	3.43	3.23	0.61		0.87	1.26
711.12 6"	3.52 lbs.	mm	160	118	86.5	15.5	1/2"	22	32
		in	6	4.65	3.41	0.61		0.87	1.26

THE MEASURE OF  
**Total Performance™**

**Ordering Information:**

State computer part number (if available) / type number / size / range / connection size and location / options required.

Specifications given in this price list represent the state of engineering at the time of printing. Modifications may take place and the specified materials may change without prior notice



**WIKAI Instrument Corporation**  
1000 Wiegand Boulevard  
Lawrenceville, Georgia 30043-5868  
Tel: 770-513-8200 Fax: 770-338-5118  
<http://www.wika.com> e-mail: [info@wika.com](mailto:info@wika.com)