



Differential Pressure Gauges

Copper Alloy Wetted Parts

Vee-Type Connection

Bourdon Tube Series • Type 711.11

Pressure Gauges

Application

Measurement of pressure differential or duplex measurement of 2 applied pressures. Suitable for all gaseous and liquid media that will not obstruct the pressure system or attack copper alloy parts.

Sizes

4" & 6" (100 mm & 160 mm)

Accuracy

± 1.5% of span

Ranges (All ranges not stocked)

Vacuum 30"Hg

Pressure from 10 PSI to 1000 PSI

Scale range must be selected based on the highest static pressure measured. The pressure differential to be indicated should be no less than 1/6 of the full scale range. When ordering please state both the static pressure applied and the differential to be indicated.

Working Range

Steady: 3/4 of full scale value

Fluctuating: 2/3 of full scale value

Short time: full scale value

Operating Temperature

Ambient: -4°F to 140°F (-20°C to 60°C)

Media: max. 140°F (+60°C)

Temperature Error

Additional error when temperature changes from reference temperature of 68°F (20°C) ±0.4% for every 18°F (10°C) rising or falling. Percentage of span.

Weather Protection

Weather resistant (NEMA 2 / IP 33)

Standard Features

Connection

Material: copper alloy

Lower mount (LM) only

2 x 1/2" or 1/4" NPT

Each side marked with ⊕ or ⊖

Bourdon Tube

Material: copper alloy

C-type

Movement

Copper alloy, wearable parts Argentan

Dial

White aluminum with black lettering

Pointer

Material: aluminum

1 black pointer

1 graduated disk indicator with scale ± 50% of main scale range

Case

Black painted steel



Window

Flat glass

Cover Ring

Black painted steel, friction fit

Order Options (min. order may apply)

Duplex gauge with 1 red and 1 black pointer

Subtracting movement (for single-pointer indication)

Stainless steel movement

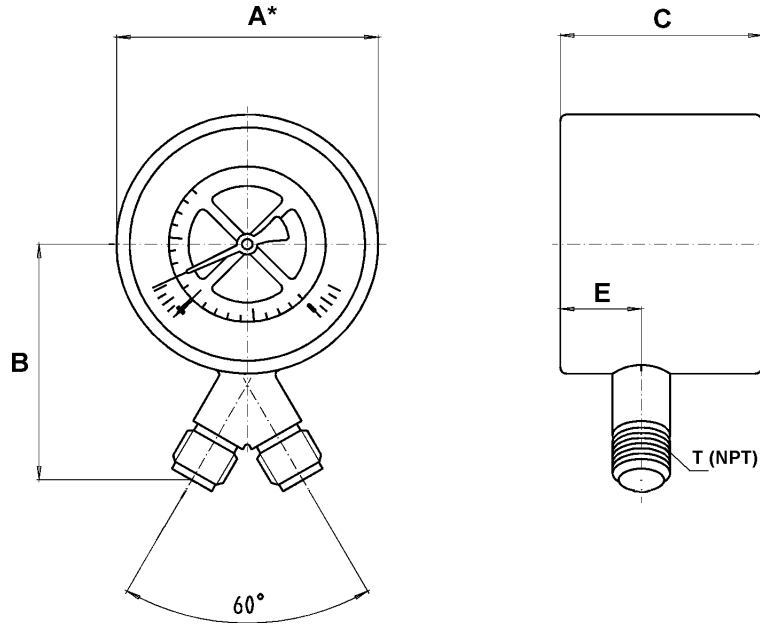
Stainless steel wetted parts (**Type 731.11**)

Front flange

Rear flange

Magnetic or inductive alarm contacts (6" size only)

Dimensions:



A* NOMINAL SIZE

TYPE	WEIGHT	KEY	A*	B	C	E	T
711.11 4"	2.2 lbs.	mm	100	91	82	31.5	1/2"
		in	4	3.58	3.23	1.24	
711.11 6"	3.5 lbs.	mm	160	120	86.5	31.5	1/2"
		in	6	4.72	3.41	1.24	

**THE MEASURE OF
Total Performance™**

Ordering Information:

State computer part number (if available) / type number / size / range / connection size and location / options required.

Specifications given in this price list represent the state of engineering at the time of printing. Modifications may take place and the specified materials may change without prior notice



WIKAI Instrument Corporation
 1000 Wiegand Boulevard
 Lawrenceville, Georgia 30043-5868
 Tel: 770-513-8200 Fax: 770-338-5118
<http://www.wika.com> e-mail: info@wika.com