

Bourdon Tube Pressure Gauge

Model 332.34 LBM, All Stainless Steel Wetted Parts

WIKA Datasheet 332.34

Applications

- Industrial
- Suitable for corrosive environments where the fluid medium does not clog connection or corrode wetted part material.

Special features

- Solid front, blow-out back case
- Design meets ASME B40.1 safety requirements
- Thermoplastic case

Standard version

Design

Solid front turret style test gauge

Size

4½" (115mm)

Accuracy class

Ranges $\pm 0.25\%$ of span (ASME B40.1 Grade 3A
0/30" Hg to 600 PSI and 2000 PSI to 20,000 PSI
 $\pm 0.5\%$ of span (ASME B40.1 Grade 2A
600>2,000 psi

Bourdon Tube

Material: 316 stainless steel
30" Hg (Vac) to 600 PSI C-type
2000 to 20,000 PSI helical type

Movement

Stainless steel
Internal stop pin at 1.3 times full scale value

Dial

White aluminum with black lettering and mirrored band

Pointer

Black aluminum, micrometer adjustable, with knife edge



Pressure Gauge 332.34

Ranges

Vacuum 30" Hg
Pressure from 15 PSI to 20,000 PSI (all ranges not available in 0.25% accuracy) or other equivalent units of pressure or vacuum

Case

Black glass reinforced thermoplastic (PBTP)
Solid front, blow-out back
Turret style case with built in rear flange lugs

Standard Scale

PSI

Window

Acrylic

Working Range

Steady: 3/4 of full scale value
Fluctuating: 2/3 of full scale value
Short time: full scale value

Operating Temperature

Ambient: -40°F to 140°F (-40°C to 60°C)
Media: max. 212°F (+100°C)

Temperature error

Additional error when temperature changes from reference temperature of 68°F (20°C) $\pm 0.4\%$ for every 18°F (10°C) rising

or falling. Percentage of span.

Connection

Material: 316 stainless steel

Lower mount (LM)

1/4" NPT or 1/2" NPT limited to wrench flat area with M4 internal tap

Weather Protection

Weather resistant (NEMA 3 / IP 54) - dry case

Window Gasket

Buna-N

Order Options (min. order may apply)

Threaded restrictor

Cleaned for oxygen service

Glass window

Safety glass window

Special connections limited to wrench flat area

DIN standards

Custom dial layout

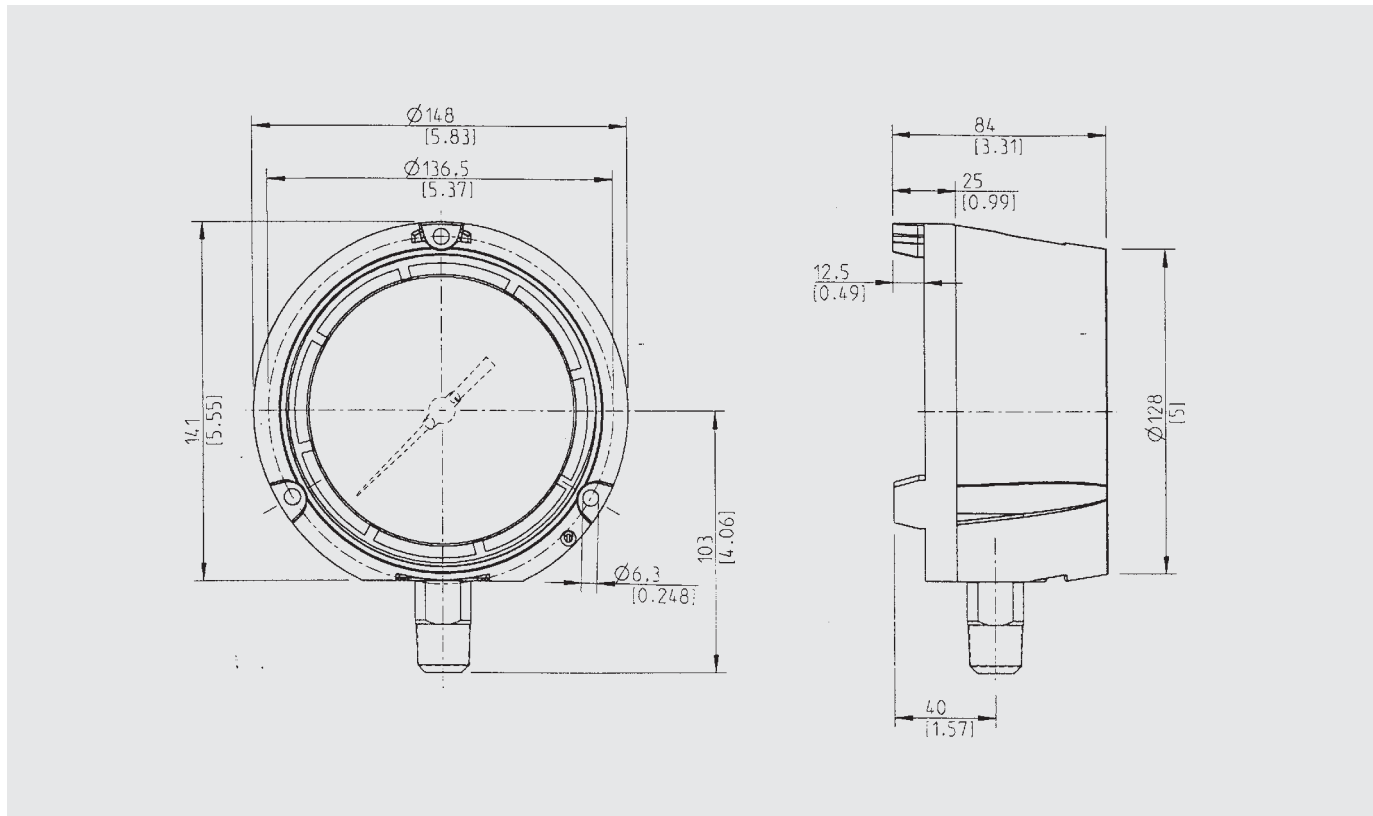
Other pressure scales available:

Bar, kPa, Kg/cm², and dual scales

Red marker pointer

Dimensions

Standard versions



Ordering information

State computer part number (if available) /type number/size/range/connection size and locations/options required. WIKA reserves the right to make changes without prior notice.



WIKA Instrument Corporation

1000 Wiegand Boulevard

Lawrenceville, GA 30043

1-888-WIKA-USA /770-513-8200 (in GA)

Fax 770-338-5118

info@wika.com www.wika.com