

# Capsule Pressure Gauges Solid-Front Process Gauge Types 612.34, 632.34 & 662.34

WIKA Datasheet 6X2.34

## Applications

- Where measurement of low pressures is needed
- Suitable for corrosive environments and gaseous or liquid media that will not obstruct the pressure system
- Process industry: chemical/petrochemical, power stations, mining, on and offshore, environmental technology, mechanical engineering and plant construction

## Special features

- Solid front thermoplastic case
- Brass, 316SS or Monel® wetted parts
- Ranges from 4"H<sub>2</sub>O

## Standard Features

### Design

ASME B40.100

### Sizes

4½ (115 mm) dial size

### Accuracy class

± 2/1/2% of span (ASME B40.100 Grade A)

### Ranges

612.34: 4"H<sub>2</sub>O to 10 psi (brass wetted parts)  
632.34: 6"H<sub>2</sub>O to 10 psi (316SS wetted parts)  
662.34: 10"H<sub>2</sub>O to 10 psi (Monel® wetted parts)  
or other equivalent units of pressure or vacuum

### Working pressure

Steady: full scale value  
Fluctuating: 0.9 x full scale value

### Operating temperature

Ambient: -4°F to +140°F (-20°C to +60°C)  
Medium: +212°F (+100°C) maximum

### Temperature error

Additional error when temperature changes from reference temperature of 68°F (20°C) ±0.6% for every 18°F (10°C) rising or falling. Percentage of span.



Bourdon Tube Pressure Gauge Model 632.34

### Weather protection

Weather resistant (NEMA 3 / IP54)

### Pressure connection

Material: copper alloy - Type 612.34  
Material: 316L stainless steel - Type 632.34  
Material: Monel® - Type 662.34  
Lower mount (LM)  
1/4" or 1/2" NPT

### Capsule element

Material: copper alloy - Type 612.34  
Material: 316L stainless steel - Type 632.34  
Material: Monel® - Type 662.34

### Movement

Stainless steel

### Dial

White aluminum with black lettering, stop pin at 6 o'clock

### Pointer

Black aluminum, adjustable

### Case

Black glass-reinforced thermoplastic (PBTP)  
Solid front, blowout back  
Turret-style case with built in rear flange lugs

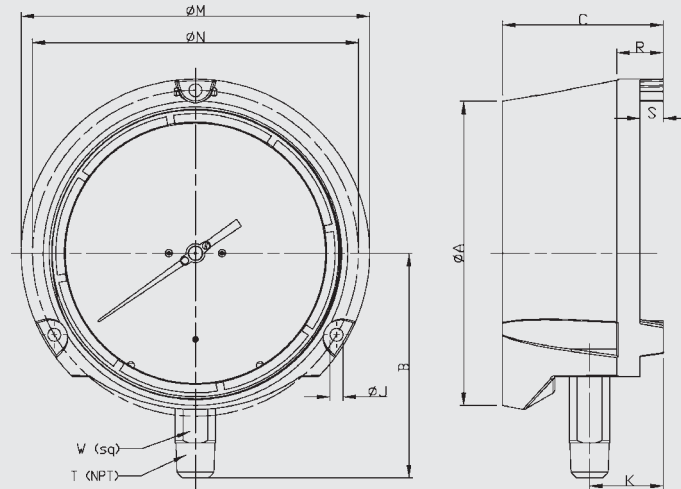
## Window

Clear acrylic with Buna-N gasket

## Optional extras

- Threaded restrictor
- 10X overpressure or vacuum safety
- Panel mounting adaptor kit (field assembled)
- Instrument glass or safety glass window
- Special process connections
- Custom dial layout

## Dimensions



Size		A	B	C	J	K	M	N	R	S	T	W	Weight <sup>1</sup>
4.5"	mm	128	103	84	6.3	40	148	136.5	25	12.5		22	
	in	5	4.06	3.31	0.248	1.57	5.83	53.7	0.99	0.49	1/2"	0.87	2 lb.

<sup>1</sup> Weight without optional accessories

### Ordering information

Pressure gauge model / Nominal size / Scale range / Size of connection / Optional extras required  
Specifications and dimensions given in this leaflet represent the state of engineering at the time of printing.  
Modifications may take place and materials specified may be replaced by others without prior notice.



### WIKA Instrument Corporation

1000 Wiegand Boulevard  
Lawrenceville, GA 30045  
Tel (770) 513-8200 Toll-free 1-888-WIKA-USA  
Fax (770) 338-5118  
E-Mail [info@wika.com](mailto:info@wika.com)  
[www.wika.com](http://www.wika.com)