

# Capsule Pressure Gauges Plastic Case / Low Cost Design Type 611.13

WIKA Data Sheet APM 611.13

## Applications

- For gaseous, dry and non aggressive media.
- Medical, vacuum, environmental, HVAC and filter monitoring.

## Special features

- Compact design
- Plastic case
- Low ranges from 0/16 "H<sub>2</sub>O (40 mbar)
- Maximum range 0/400 "H<sub>2</sub>O (1000 mbar)



Capsule Pressure Gauge Model 611.13

## Description

### Nominal Sizes

2" & 2.5" (50 & 63 mm)

### Accuracy class

± 2.5% of span

### Scale Ranges

0/16 to 0/400 "H<sub>2</sub>O (0/40 to 0/1000 mbar)  
or other equivalent units of pressure or vacuum

### Working Pressure

Steady: Full scale value  
Fluctuating: 90% of full scale value

### Operating Temperature

Ambient: -4°F to +140°F (-20°C to +60°C)  
Medium: +140°F (+60°C)

### Temperature effect

When temperature of the pressure element deviates from  
reference temperature (+70°F / +20°C):  
max. ±0.6%/18°F

### Weather protection

IP 53 per EN 60 529 / IEC 529

## Standard features

### Pressure connection

Material: copper alloy  
 Lower mount (LM) or center back mount (CBM)  
 1/4" NPT (male), 14 mm wrench flats

### Pressure element

Material: Beryllium copper (CuBe2)

### O-ring

NBR (Perbunan)

### Movement

Copper alloy

### Dial

White aluminum with black numerals

### Pointer

Black aluminum

### Case

Plastic, black

### Window

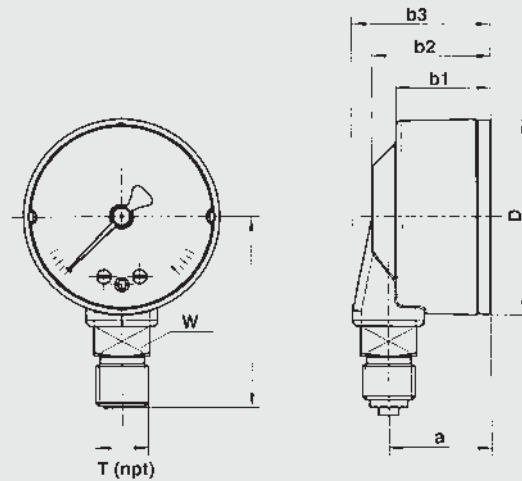
Acrylic, snapped-in

## Optional extras

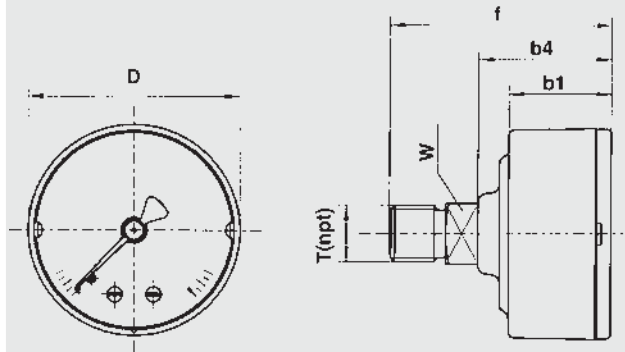
- Other pressure connection
- Under & overpressure safety
- Accuracy  $\pm 1.6\%$  of span
- Rezero screw on dial
- Black painted steel case (Type 611.23)
- Restrictor

## Dimensions

### Lower mount (LM) connection



### Center back mount (CBM) connection



Size		a	b1	b2	b3	b4	D	f	h	T	W	Weight
2"	mm	26	24	30	35	31	49	51.5	48		14	0.07 kg
	in	1.02	0.94	1.18	1.38	1.22	1.93	2.03	1.89	1/4"	0.55	0.15 lbs
2.5"	mm	25.5	24	29.5	34.5	31	62	51.5	48		14	0.08 kg
	in	1.00	0.94	1.16	1.36	1.22	2.44	2.03	1.89	1/4"	0.55	0.18 lbs

### Ordering information

Pressure gauge model / Nominal size / Scale range / Size of connection / Optional extras required  
 Specifications and dimensions given in this leaflet represent the state of engineering at the time of printing.  
 Modifications may take place and materials specified may be replaced by others without prior notice.



### WIKA Instrument Corporation

1000 Wiegand Boulevard  
 Lawrenceville, GA 30045  
 Tel (770) 513-8200 Toll-free 1-888-WIKA-USA  
 Fax (770) 338-5118  
 E-Mail info@wika.com  
 www.wika.com