



Sealgauge® Diaphragm Gauges

Cast Iron Case

Process Industry Series • 316 SS Steel Wetted Parts • Type 43X.12

Pressure Gauges

Application

Industrial type suitable for environments where the fluid medium does not clog connection or corrode steel or 316 stainless steel. Built to withstand highly viscous and crystallizing medium. Diaphragm mechanically linked to movement, allowing use of a metallic diaphragm at low pressures. Eliminates system liquid filling and permits overpressurization up to five times the full scale range. Housing bolts limit maximum pressures to 600 PSI.

Sizes (All sizes not stocked)

4" and 6" (100 and 160 mm)

Accuracy

± 1.5% of span

Ranges (All ranges not stocked)

Vacuum / Compound to 30" HG / 0 / 200 PSI

Pressure from 10" H₂O to 100" H₂O (6" flange diameter)

Pressure from 6 PSI to 600 PSI (4" flange diameter)

or other equivalent units of pressure or vacuum

Working Range

Steady: Full scale value

Fluctuating: 0.9 x full scale value

Overpressure Safety

≤ 6 PSI 5 X full scale value

> 6 PSI to 30 PSI 3 X full scale value

> 30 PSI 5 X full scale value, max. 600 PSI

Operating Temperature

Ambient: -4°F to 140°F (-20°C to 60°C)

Media: max. 212°F (+100°C)

Temperature Error

Additional error when temperature changes from reference temperature of 68°F (20°C) ±0.5% for every 18°F (10°C) rising or falling. Percentage of span.

Standard Features

Connection

316 stainless steel

Lower mount (LM)

1/2" NPT Female

Diaphragm Housing

Upper: cast iron, black finish

Lower: 316 stainless steel

Diaphragm Element

432.12: 316 stainless steel

Diaphragm Gasket

Buna-N

Movement

Material: copper alloy

Dial

White aluminum with black lettering



Pointer

Adjustable black aluminum

Case

Black iron with integral top housing and black steel twist-lock ring

Weather Protection

Weather resistant (NEMA 3 / IP 54) - dry case

Weather tight (NEMA 4X / IP 65) - liquid-filled case

Standard Scales

PSI, Inches of H₂O

Window Gasket

Buna-N

Window

Flat instrument glass

ORDER OPTIONS (min. order may apply)

10 X overpressure safety, max. 600 PSI

Underpressure safe to -30 "Hg

Liquid filled version (**4X3.12**)

Glycerine, silicone, or fluorocarbon case filling

Special connections limited to wrench flat area

Open flange connections (300# ANSI maximum)

Safety glass window

Acrylic plastic window

Cleaned for oxygen service

Extended media temperature up to 392°F

DIN standards

Custom dial layout

Other pressure scales available

Alarm contact switches magnetic and inductive

Transmitters

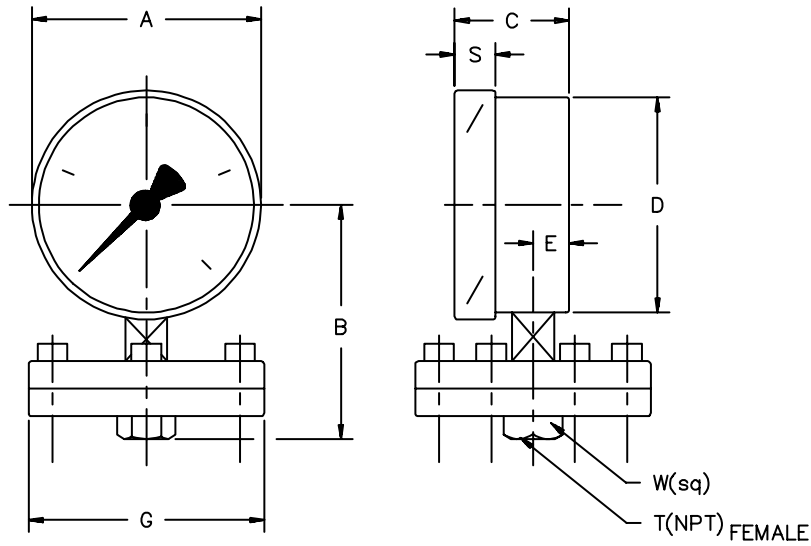
Diaphragm, wetted parts lined for open flange connections such

as: PTFE Foil, PFA or ECTFE powder coating, Hastelloy® B2 & C4, Monel®, Tantalum or Titanium

Only male threaded connections are available with special materials.

APM 43X.12
(APM 04.02)

Dimensions:



A* NOMINAL SIZE

TYPE	WEIGHT	KEY	A*	B	C	D	E	G	S	T	W
43X.12 4"	4.5 lbs.	mm	100	104	49.5	99	15.5	100	17.5	--	27
		in	4	4.09	1.95	3.90	0.61	3.94	0.69	1/2"	1.06
43X.12 6"	6.5 lbs.	mm	160	134	49.5	159	15.5	100	17.5	--	27
		in	6	5.28	1.95	6.26	0.61	3.94	0.69	1/2"	1.06

NOTE: For ranges 4 PSI and lower, G dimension changes to 160 mm (6") and weight increases by 2.9 lbs.

Monel® is a registered trademark of the INCO family of companies.

Hastelloy® is a registered trademark of the Cabot family of companies.

THE MEASURE OF
Total Performance™

Ordering Information:

State computer part number (if available) / type number / size / range / connection size and location / options required.

Specifications given in this price list represent the state of engineering at the time of printing. Modifications may take place and the specified materials may change without prior notice

05/01



WIKAI Instrument Corporation
1000 Wiegand Boulevard
Lawrenceville, Georgia 30043-5868
Tel: 770-513-8200 Fax: 770-338-5118
<http://www.wika.com> e-mail: info@wika.com