



## Sealgauge® Diaphragm Gauges

Stainless Steel Case

316SS / NBR Wetted Parts

Process Industry Series • Type 422.20

### Pressure Gauges

#### Application

Suitable for all gaseous and liquid media. Optional open flange connection available for viscous media and slurries.

#### Sizes

4" and 6" (100 and 160 mm)

#### Accuracy

±1.5% of span

#### Ranges

Vacuum / Compound to 30"HG / 0 / 200 PSI  
Pressure from 10" H<sub>2</sub>O to 100" H<sub>2</sub>O (6" flange size)  
Pressure from 6 PSI to 600 PSI (4" flange size)  
or other equivalent units of pressure or vacuum

#### Working Range

Steady: full scale value

Fluctuating: 0.9 x full scale value

#### Overpressure Safety

≤ 100 "H<sub>2</sub>O: 5 x full scale value  
> 100 "H<sub>2</sub>O to ≤ 30 PSI 3 x full scale value  
> 30 PSI: 5 x full scale value, 600 PSI max.

#### Operating Temperature

Ambient: -4°F (-20°C) to 140°F (60°C)

Media: max. + 212°F (+100°C)

#### Temperature Error

Additional error when temperature changes from reference temperature of 68°F (20°C) ± 0.5% for every 18°F (10°C) rising or falling. Percentage of span.

### Standard Features

**Connection** (exposed to pressure medium)

Material: black carbon steel  
1/2" NPT

#### Diaphragm Housing

Upper: black carbon steel  
Lower: black carbon steel

**Diaphragm Element** (exposed to pressure medium)

316 stainless steel

**Diaphragm Gasket** (exposed to pressure medium)

NBR (Buna rubber)

#### Movement

Copper alloy, wearable parts of Argentan

#### Dial

White aluminum with black lettering

#### Pointer

Black aluminum

#### Case

Stainless steel with stainless steel bayonet ring

#### Weather Protection

Weather resistant (NEMA 4X / IP 54)



#### Window

Flat instrument glass

#### Order Options

Other threaded pressure connection

Liquid filling (423.20)

Wetted parts made of stainless steel (432.20)

10 x overpressure safe, maximum 600 PSI

Vacuum safe

Pressure connection with DIN or ANSI flange

Pressure element >30 PSI: Duratherm

Diaphragm and wetted parts lined or coated with special materials such as:

PTFE (Teflon) foil (452.20)

Hastelloy B2

Hastelloy C4

Monel

Nickel

Tantalum

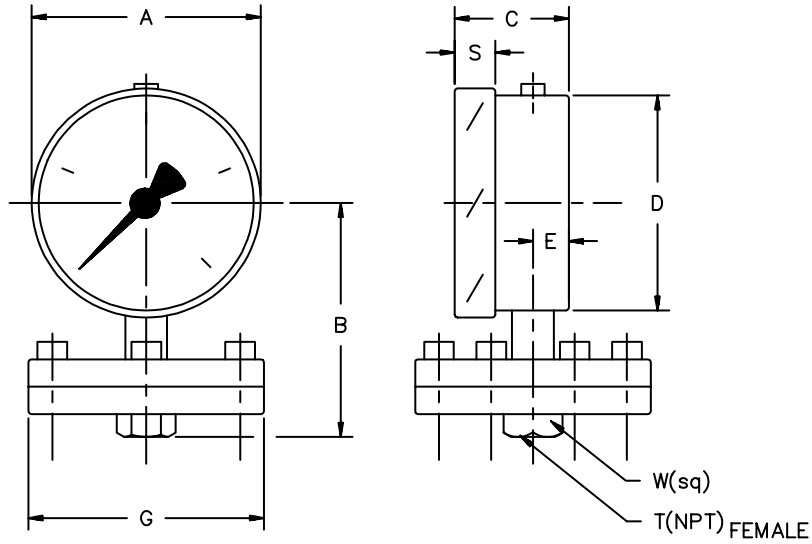
Titanium

Silver

Alarm contacts (see data sheet AAE 08.01)

Transmitters (see data sheet AAE 08.02)

**Dimensions:**



A\* NOMINAL SIZE

TYPE	WEIGHT	KEY	A*	B	C	D	E	G	S	T	W
4XX.20 4"	4.5 lbs.	mm	100	104	49.5	99	15.5	100	17.5	--	27
		in	4	4.09	1.95	3.90	0.61	3.94	0.69	1/2"	1.06
4XX.20 6"	6.5 lbs.	mm	160	134	49.5	159	15.5	100	17.5	--	27
		in	6	5.28	1.95	6.26	0.61	3.94	0.69	1/2"	1.06

NOTE: For ranges 4 PSI and lower, G dimension changes to 160 mm (6") and weight increases by 2.9 lbs.

Monel® is a registered trademark of the INCO family of companies.

Hastelloy® is a registered trademark of the Cabot family of companies.

Viton® is a registered trademark of the DuPont family of companies.

THE MEASURE OF  
**Total Performance™**

**Ordering Information:**

State computer part number (if available) / type number / size / range / connection size and location / options required.

Specifications given in this price list represent the state of engineering at the time of printing. Modifications may take place and the specified materials may change without prior notice

05/99



**WIKAI Instrument Corporation**  
1000 Wiegand Boulevard  
Lawrenceville, Georgia 30043-5868  
Tel: 770-513-8200 Fax: 770-338-5118  
<http://www.wika.com> e-mail: [info@wika.com](mailto:info@wika.com)