



Bourdon Tube Pressure Gauges

Field Repairable

All Stainless Steel Construction

Process Industry Series Liquid Fillable • Type 23X.54PM

Pressure Gauges

Application

The Panel Mount Gauge is suitable for corrosive environments compatible with 316 stainless steel wetted parts, dry and liquid fillable case, where vibration and/or pressure pulsation occur in liquid or gaseous media which will not obstruct the pressure system. The Panel Mount Gauge is supplied with U-Clamp as standard.

Sizes

3½"

Accuracy

3½" : ±1.0% FS (ASME B40.1 Grade 1A) - Dry
±1.5% FS (ASME Grade A) - Liquid Filled

Ranges (All ranges not stocked)

Vacuum / Compound to 30"HG / 0 / 200 PSI
Pressure from 15 PSI to 15,000 PSI
or other equivalent units of pressure or vacuum

Working Range

3½" Steady: 3/4 of full scale value
Fluctuating: 2/3 of full scale value
Short time: full scale value

Operating Temperature

Ambient: -40°F to 140°F (-40°C to 60°C) ^{Note 1}
Media: max. 212°F (+100°C)

Temperature Error

Additional error when temperature changes from reference temperature of 68°F (20°C) ±0.4% for every 18°F (10°C) rising or falling. Percentage of span.

Standard Features

Connection

Material: 316 stainless steel
Center back mount (CBM)
1/4" NPT

Bourdon Tube

Material: 316 stainless steel
30"Hg (Vac) to 1000 PSI C-type
1500 PSI to 15,000 PSI helical type

Movement

300-series stainless steel

Dial

White aluminum with black lettering. With stop pin.

Pointer

Black aluminum, friction adjustable

Case

304 stainless steel with fill plug and Electro-polished stainless steel bayonet ring. Welded case/socket connection



Weather Protection

Weather resistant (NEMA 3 / IP 54)

Standard Scale

PSI

Window Gasket

Buna-N

Window

Acrylic

Case Filling ^{note 1, note 2, note 3}

232.54PM - none
233.54PM - Liquid Filled

ORDER OPTIONS (min. order may apply)

Receiver gauge (3-15 PSI and 0/100% or 0/10sq. rt.)
Custom dial layout
316 SS threaded restrictor
Silicone or fluorolube case fill ^{note 1, note 2, note 3}
Safety glass or flat glass window
Special connections limited to wrench flat area
Other pressure scales available:
Bar, kPa, MPa, Kg/cm² and dual scales
DIN standards
Cleaned for oxygen service

Note 1 Temperature Ranges (Liquid filled gauges)

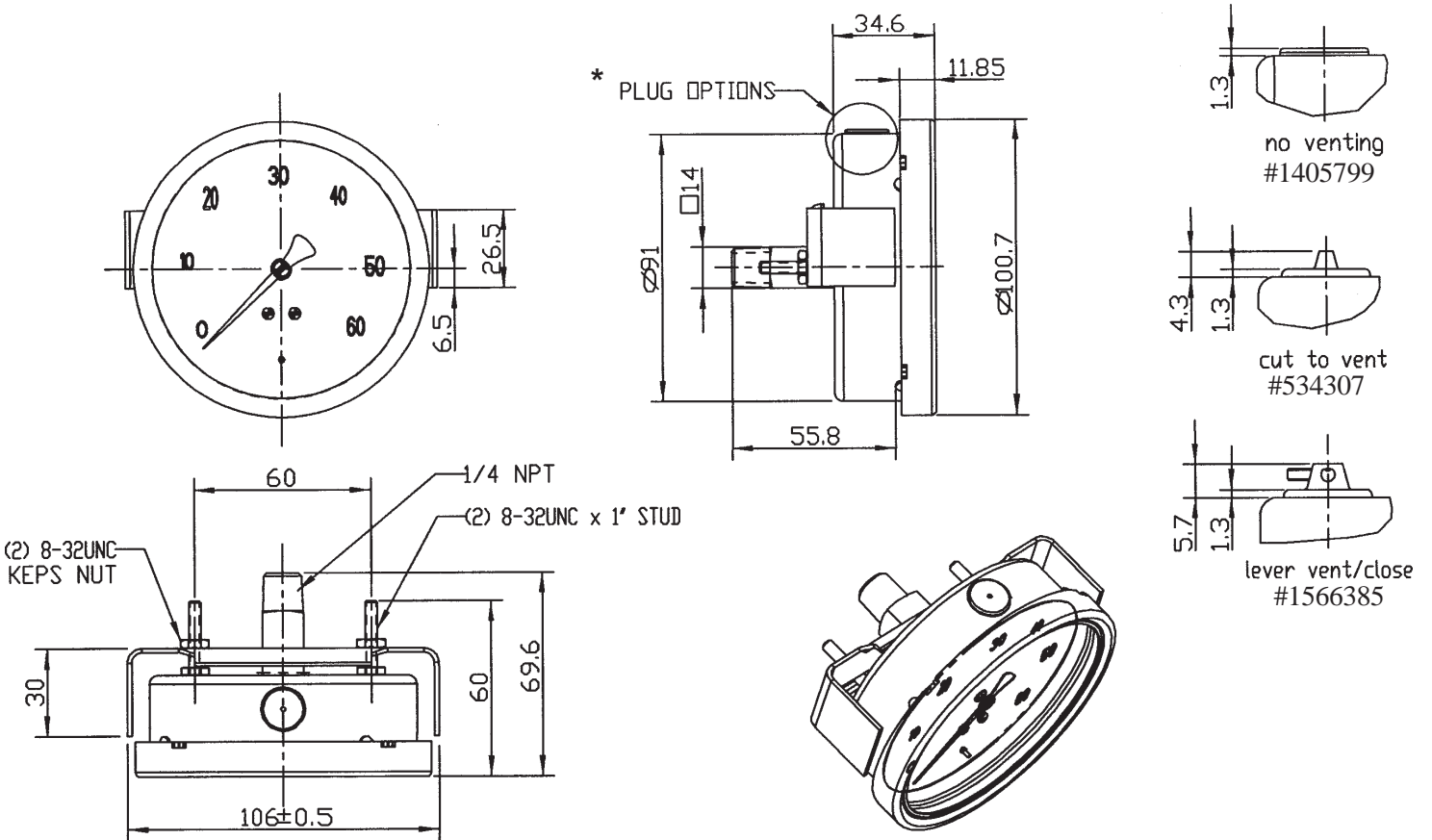
Glycerine: -4°F to 140°F (-20°C to 60°C)
Silicone: -40°F to 140°F (-40°C to 60°C)

Note 2 Low range gauge response time & accuracy are effected by case liquid filling, depending on ambient conditions. Additionally, fluctuating ambient conditions may cause case pressurization and may resort in pointer shift unless case pressure is relieved.

Note 3 All ranges 60psi and below require a special low viscosity liquid fill. - 50 CST silicone

APM 23X.54 PM

Dimensions:



- * Standard Fill Plugs Are: (Supplied with Gauge)
- *Lever type on: <300psi (PN# 1566385)
- *Non-vent (flat) type on: >300 psi (PN# 1405799)
- Cuttible vent special order (PN# 534307)

Recommended panel cut-out: 92mm

**THE MEASURE OF
Total Performance™**

Ordering Information:

State computer part number (if available) / type number / size / range / connection size and location / options required.

Specifications given in this price list represent the state of engineering at the time of printing. Modifications may take place and the specified materials may change without prior notice



WIKAI Instrument Corporation
 1000 Wiegand Boulevard
 Lawrenceville, Georgia 30043-5868
 Tel: 770-513-8200 Fax: 770-338-5118
<http://www.wika.com> e-mail: info@wika.com