

Bourdon Tube Pressure Gauges

Dry or Liquid Filled Gauge with SAE Connection

Type 212.53S - Dry Case

Type 213.53S - Liquid-filled Case

WIKA Datasheet 21X.53S

Applications

- Intended for adverse service conditions where pulsating or vibration exists (with liquid filling)
- Hydraulics & compressors
- Suitable for gaseous or liquid media that will not obstruct the pressure system

Special features

- Vibration and shock resistant (with liquid filling)
- 7/16" -20 SAE connection
- Pressure ranges up to 15,000 psi



Bourdon Tube Pressure Gauge Model 213.53S

Description

Design

ASME B40.100 & EN 837-1

Sizes

2½" (63 mm)

Accuracy class

± 2/1/2% of span (ASME B40.100 Grade A)

Ranges

Vacuum / Compound to 200 psi
Pressure from 15 psi to 15,000 psi
or other equivalent units of pressure or vacuum

Working pressure

Steady: 3/4 scale value
Fluctuating: 2/3 full scale value
Short time: full scale value

Operating temperature

Ambient: -40°F to +140°F (-40°C to +60°C) - dry
 -4°F to +140°F (-20°C to +60°C) - glycerine filled
 -40°F to +140°F (-40°C to +60°C) - silicone filled
Medium: +140°F (+60°C) maximum

Temperature error

Additional error when temperature changes from reference temperature of 68°F (20°C) ±0.4% for every 18°F (10°C) rising or falling. Percentage of span.

Weather protection

Weather resistant (NEMA 3 / IP 54) - dry case
Weather tight (NEMA 4X / IP 65) - liquid-filled case

Pressure connection

Material: copper alloy
Lower mount (LM)
7/16" - 20 SAE with o-ring, washer and lock nut

Bourdon tube

Material: copper alloy
≤ 1,000 PSI: C-type
≥ 1,500 PSI: helical type

Movement

Copper alloy

Dial

White ABS with stop pin and with black lettering

Pointer

Black aluminum

Case

304 stainless steel with vent plug and stainless steel crimp ring. Suitable for liquid filling. Case connection sealed with EPDM o-ring (glycerine filled) or Viton o-ring (dry or silicone filled).

Window

Polycarbonate with Buna-N gasket

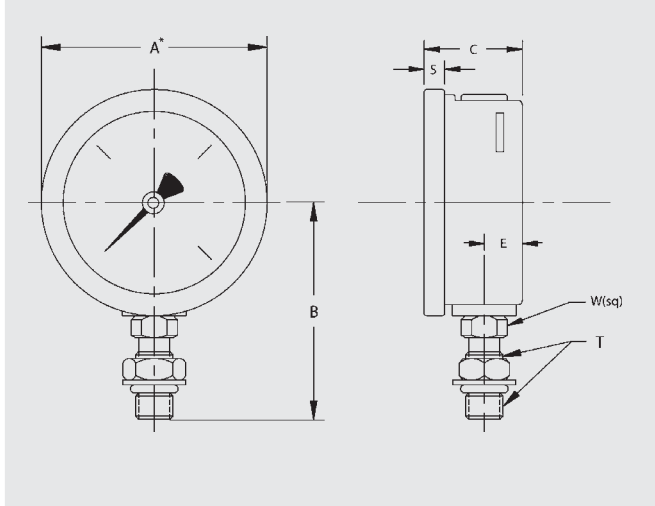
Case fill

Glycerine 99.7% - Type 213.53S

Optional extras

- Brass restrictor
- External zero adjustment (2½" only)
- Red drag pointer or mark pointer
- Silicone or Fluorolube case filling
- Custom dial layout
- Other pressure scales available
bar, kPa, MPa, kg/cm² and dual scales

Dimensions



Size		A	B	C	E	S	T	W	Weight
2.5"	mm	69	61.2	31	13	6		14	0.38 lb. dry
	in	2.69	2.41	1.23	0.51	0.24	7/16-20	0.55	0.46 lb. filled

Ordering information

Pressure gauge model / Nominal size / Scale range / Size of connection / Optional extras required
Specifications and dimensions given in this leaflet represent the state of engineering at the time of printing.
Modifications may take place and materials specified may be replaced by others without prior notice.



WIKA Instrument Corporation

1000 Wiegand Boulevard
Lawrenceville, GA 30045
Tel (770) 513-8200 Toll-free 1-888-WIKA-USA
Fax (770) 338-5118
E-Mail info@wika.com
www.wika.com