



Bourdon Tube Pressure Gauges

Square and Rectangular Case

Copper Alloy Wetted Parts

Accuracy $\pm 1.5\%$ of Span

Industrial Series Dry Case • Type 214.11

Pressure Gauges

Application

Panel mounting industrial pressure gauge. Suitable for all gaseous and liquid media that will not obstruct the pressure system or attack copper alloy wetted parts.

Sizes

48 x 24, 72 x 36, 72 x 72, and 96 x 96 mm

Accuracy

$\pm 1.5\%$ of span

Ranges

Vacuum ranges

48 x 24 mm: Pressure from 10 PSI to 600 PSI

72 x 36 mm: Pressure from 10 PSI to 600 PSI

72 x 72 mm: Pressure from 10 PSI to 6,000 PSI

96 x 96 mm: Pressure from 10 PSI to 15,000 PSI

or other equivalent units of pressure or vacuum

Working Range

Steady: $3/4$ of full scale value

Fluctuating: $2/3$ of full scale value

Short time: full scale value

Operating Temperature

Ambient: -4°F to 140°F (-20°C to 60°C)

Media: max. $+140^{\circ}\text{F}$ ($+60^{\circ}\text{C}$)

Temperature Error

Additional error when temperature changes from reference temperature of 68°F (20°C) $\pm 0.4\%$ for every 18°F (10°C) rising or falling. Percentage of span.



Standard Features

Connection

Material: Copper alloy

Center back mount (CBM)

Lower back mount (LBM) - 48x24 mm and 72 x 36 mm

1/8" NPT or 1/4" NPT limited to wrench flat area

Bourdon Tube

Material: Copper alloy

≤ 600 PSI: C-type

> 600 PSI: helical type

Movement

Material: Copper alloy

Dial

White aluminum with black lettering. 72 x 72 and 96 x 96 sizes supplied with pointer stop pin on dial

Pointer

Black aluminum

Case

72 x 72 and 96 x 96 mm: galvanized steel

48 x 24 and 72 x 36 mm: copper-alloy

Window

Flat instrument glass

Weather Protection

Dust resistant (NEMA 2 / IP 45)

Panel Frame

72 x 72 and 96 x 96 mm: snap-fit, black-painted steel

48 x 24 mm: black-painted brass

72 x 36 mm: black plastic

Order Options

Special connections limited to wrench flat area

Custom dial layout

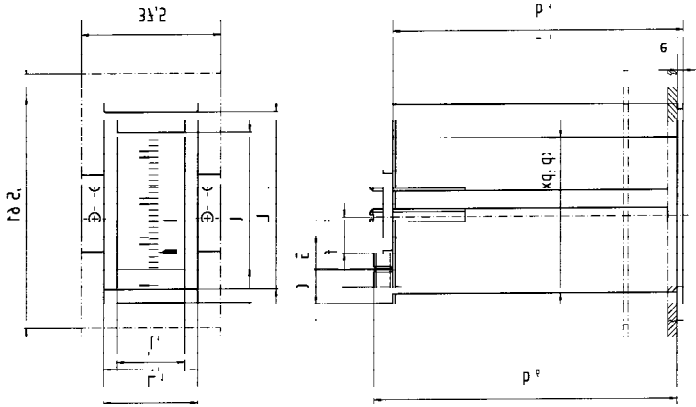
Other pressure scales available:

Bar, kPa, Kg/cm^2 and dual scales

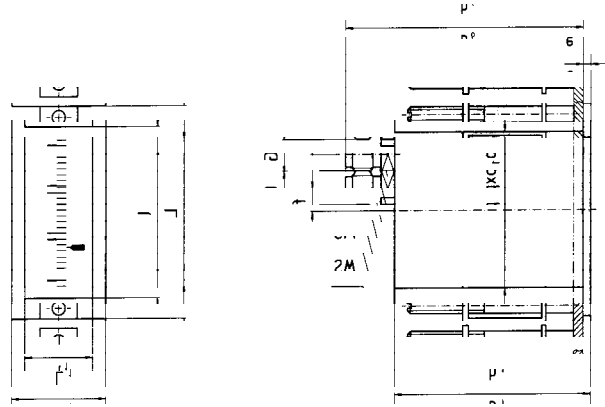
72 x 72 and 96 x 96 mm: stainless steel pressure system

Dimensions:

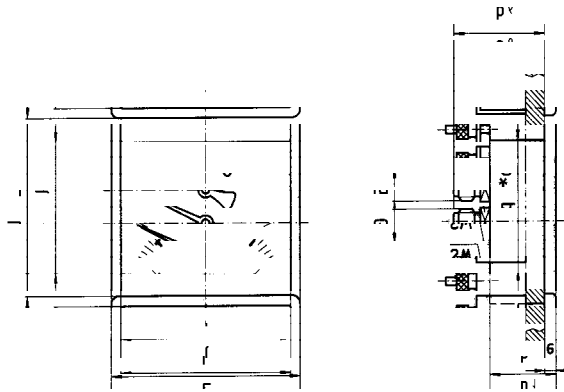
48 x 24 mm Lower Back Mount (LBM)



72 x 36 mm Top Back Mount (TBM)



72 x 72 mm Center Back Mount (CBM)



TYPE/SIZE	WEIGHT	KEY	b1	b6	e	f	G	L	L1	I	I1	p x p1	P*	SW
214.11 48 x 24	0.37 lb	mm	75.5	83.5	2	14	1/8" NPT or G 1/8	48	24	38	14	44.5 x 20.5	-	-
		in.	2.97	3.29	0.08	0.55		1.89	0.94	1.50	0.55	1.75 x .81	-	-
214.11 72 x 36	0.55 lb	mm	74.5	86.5	4	21	1/4" NPT or G 1/4B	72	36	56	20	66 x 29	-	14
		in.	2.93	3.41	0.16	0.83		2.83	1.42	2.20	0.79	2.6 x 1.14	-	0.55
214.11 72 x 72	0.66 lb	mm	29	42	6	-	1/4" NPT or G 1/4B	72	-	62	-	-	66	14
		in.	1.14	1.65	0.24	-		2.83	-	2.44	-	-	2.60	0.55
214.11 96 x 96	0.88 lb	mm	35	47	6	-	1/4" NPT or G 1/4B	96	-	88	-	-	90	14
		in.	1.38	1.85	0.24	-		3.78	-	3.46	-	-	3.54	0.55

THE MEASURE OF
Total Performance™

Ordering Information:

State computer part number (if available) / type number / size / range / connection size and location / options required.

Specifications given in this price list represent the state of engineering at the time of printing. Modifications may take place and the specified materials may change without prior notice



WIKAI Instrument Corporation
1000 Wiegand Boulevard
Lawrenceville, Georgia 30043-5868
Tel: 770-513-8200 Fax: 770-338-5118
<http://www.wika.com> e-mail: info@wika.com