

Bourdon Tube Pressure Gauges Stainless Steel Series Type 131.11

WIKA Data Sheet 131.11

Applications

- Suitable for corrosive environments and gaseous or liquid media that will not obstruct the pressure system
- Ideal when a smaller size instrument is needed
- CDA (Clean Dry Air) applications

Special features

- All stainless steel construction
- 316L wetted parts
- Cost effective and reliable
- Positive pressure ranges to 15,000 PSI

Description

Design

ASME B40.100 & EN 837-1

Sizes

1.5", 2" & 2½" (40, 50 and 63 mm)

Accuracy class

± 2.5% of span

Ranges

1½" & 2": 0/15 to 0/7,500 PSI

2½": 0/15 to 0/15,000 PSI

or other equivalent units of pressure or vacuum

Working pressure

Steady: 3/4 of full scale value

Fluctuating: 2/3 of full scale value

Short time: full scale value

Operating temperature

Ambient: -40°F to +140°F (-40°C to +60°C)

Medium: +212°F (+100°C) maximum

Temperature error

Additional error when temperature changes from reference temperature of 68°F (20°C) ±0.4% for every 18°F (10°C) rising or falling. Percentage of span.



Bourdon Tube Pressure Gauge Model 131.11

Temperature error

Additional error when temperature changes from reference temperature of 68°F (20°C) ±0.4% for every 18°F (10°C) rising or falling. Percentage of span.

Pressure connection

Material: 316L stainless steel

Lower mount (LM) or center back mount (CBM)

1/8" or 1/4" NPT (male)

Bourdon tube

Material: 316L stainless steel

≤ 1,000 PSI: C-type

≥ 1,500 PSI: helical type

Movement

Stainless steel

Dial

White aluminum with black lettering, with stop pin

Pointer

Black aluminum

Case

Stainless steel

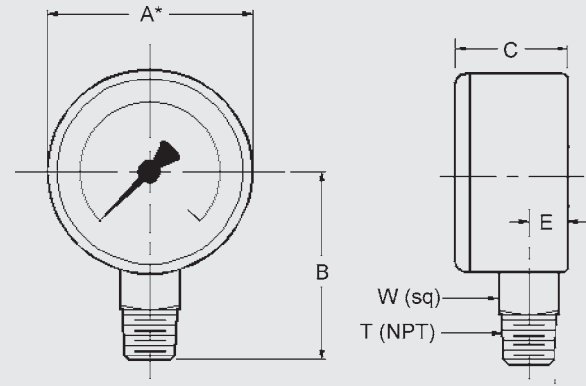
Window

Snap-in polycarbonate

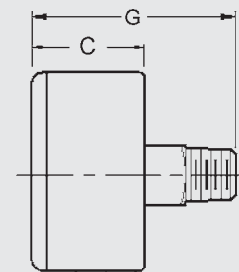
Optional extras

- Friction fit cover ring with instrument glass window
- Special threaded connection
- U-clamp panel mount
- Front flange (for 2½" size only)

Dimensions



Lower Mount
(LM)



Center Back Mount
(CBM)

Size		A	B	C	E	G	T	W	Weight
1.5"	mm	40	37	25	9	50.5	-	14	
	in	1.54	1.46	0.98	0.35	1.99	1/8"	0.55	0.11 lbs.
2"	mm	50	47	27	9.6	53.5	-	14	
	in	1.93	1.85	1.06	0.38	2.11	1/4"	0.55	0.20 lbs.
2.5"	mm	63	54	28	10	53.5	-	14	
	in	2.44	2.13	1.10	0.39	2.11	1/4"	0.55	0.26 lbs.

Ordering information

Pressure gauge model / Nominal size / Scale range / Size of connection / Optional extras required
 Specifications and dimensions given in this leaflet represent the state of engineering at the time of printing.
 Modifications may take place and materials specified may be replaced by others without prior notice.



WIKA Instrument Corporation

1000 Wiegand Boulevard
 Lawrenceville, GA 30045
 Tel (770) 513-8200 Toll-free 1-888-WIKA-USA
 Fax (770) 338-5118
 E-Mail info@wika.com
 www.wika.com