

Bourdon Tube Pressure Gauge Type 111.10R Refrigeration Gauge Standard Series

WIKA Datasheet 111.10R

Applications

- Refrigeration test manifolds
- Compressed air systems
- Suitable for fluid medium which does not clog connection port or corrode copper alloy

Special features

- Durable red or blue steel case
- Metric size gauge
- Silicone dampened movement



Bourdon Tube Pressure Gauge Type 111.10R

Standard Features

Design

EN 837-1 & ASME B40.100

Sizes

3" (80 mm)

Accuracy class

± 1/2/5% of span

1% at zero pressure

2% in the first 75% of the scale

5% in the last 25% of the scale

Ranges

0/120 psi, retard to 350 psi

0/500 psi

Working pressure

Steady: 3/4 of full scale value

Fluctuating: 2/3 of full scale value

Short time: full scale value

Operating temperature

Ambient: -40°F to 150°F (-40°C to 65°C)

Media: 150°F (+65°C) maximum

Temperature error

Additional error when temperature changes from reference temperature of 68°F (20°C) ±0.4% for every 18°F (10°C) rising or falling. Percentage of span.

Pressure connection

Material: copper-alloy

Lower mount (LM)

1/8" or 1/4" NPT

Bourdon tube

Material: copper alloy

15 psi to 600 psi: C-type

800 psi to 6,000 psi: helical

Movement

Copper alloy, silicone dampened

Dial

White aluminum with stop pin and black lettering.

Zero-adjustment screw on dial

Pointer

Black aluminum

Case

Red or blue painted steel

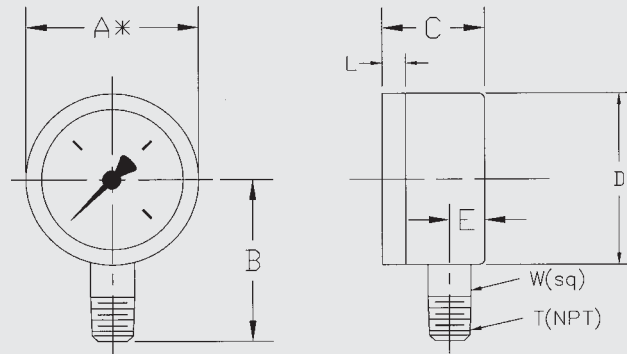
Window

Snap-in acrylic

Optional Extras

- Brass restrictor
- Black-painted steel case
- Refrigeration scales
- Special threaded connection
- Other pressure scales available:
bar, kPa, MPa, kg/cm² and dual scales

Dimensions



Size		A	B	C	D	E	L	T	W	Weight
3"	mm	80	59.3	29	79	9.8	3.4		14	
	in	3.15	2.33	1.14	3.11	0.39	.013	1/8"	0.55	0.41 lb

Ordering information

Pressure gauge model / Nominal size / Scale range / Size of connection / Optional extras required
 Specifications and dimensions given in this leaflet represent the state of engineering at the time of printing.
 Modifications may take place and materials specified may be replaced by others without prior notice.



WIKA Instrument Corporation
 1000 Wiegand Boulevard
 Lawrenceville, GA 30045
 Tel (770) 513-8200 Toll-free 1-888-WIKA-USA
 Fax (770) 338-5118
 E-Mail info@wika.com
 www.wika.com